

SGL® UV 2000
Site Planning Guide

007-5893-002

COPYRIGHT

© 2012 SGI. All rights reserved; provided portions may be copyright in third parties, as indicated elsewhere herein. No permission is granted to copy, distribute, or create derivative works from the contents of this electronic documentation in any manner, in whole or in part, without the prior written permission of SGI.

LIMITED RIGHTS LEGEND

The software described in this document is "commercial computer software" provided with restricted rights (except as to included open/free source) as specified in the FAR 52.227-19 and/or the DFAR 227.7202, or successive sections. Use beyond license provisions is a violation of worldwide intellectual property laws, treaties and conventions. This document is provided with limited rights as defined in 52.227-14.

The electronic (software) version of this document was developed at private expense; if acquired under an agreement with the USA government or any contractor thereto, it is acquired as "commercial computer software" subject to the provisions of its applicable license agreement, as specified in (a) 48 CFR 12.212 of the FAR; or, if acquired for Department of Defense units, (b) 48 CFR 227-7202 of the DoD FAR Supplement; or sections succeeding thereto. Contractor/manufacturer is SGI, 46600 Landing Parkway, Fremont, CA 94538.

TRADEMARKS AND ATTRIBUTIONS

Silicon Graphics, SGI, and the SGI logo, are registered trademarks of Silicon Graphics, Inc., in the United States and/or other countries worldwide.

Aeroquip is a registered trademark of Aeroquip Corporation. ASHRAE is a registered service mark of the American Society of Heating, Refrigerating and Air-Conditioning Engineers, Inc. Hansen is a trademark Hansen Products Limited (NZ). Intel and Xeon are trademarks or registered trademarks of Intel Corporation or its subsidiaries in the United States and other countries. All other trademarks mentioned herein are the property of their respective owners.

Record of Revision

Version	Description
001	September 2012 Original Printing.
002	November 2012 This revision provides technical corrections throughout the document.

Contents

1	Site Preparation Overview	
	Warnings and Cautions	2
	Pallet Jack Requirements	3
	About this Guide.	3
	Obtaining Publications	3
	Reader Comments	4
	Physical Location	5
	Selecting a Delivery Route	5
	Selecting a Final Location	7
	Floor Requirements	8
	Electrical Requirements	9
	Voltage Requirements	9
	Power Requirements	10
	Grounding Requirements	11
	Power Factor	12
	Inrush Current	12
	Power-line Treatment	13
	Total Harmonic Distortion	13
	Thermal Requirements	14
	Heat Output	14
	Air-conditioning Terminology	14
	Calculating Thermal Load	15
	Water-cooled Rack Requirements	16
	Cooling Water Requirements	16
	Piping Requirements	17

	Cooling Water Supply Requirements	17
	Thermal Gradient	18
	Cooling In Mission-critical Installations	18
	Environmental Requirements	19
	Electromagnetic Interference	19
	Electrostatic Discharge	20
	Vibration.	20
	Humidity.	20
	Humidity Gradient	21
	Ergonomic Requirements	21
	Acoustics	21
	Local Regulations	22
	Planning for the Future	22
2	Components	
	Server Racks	24
	Individual Rack Unit	26
	Power Supplies	27
	Cooling	27
	I/O Expansion Racks	27
3	Specifications	
	Shipping Container Specifications	30
	Rack Dimensions.	32
	Rack Spacing	34
	System Specifications	35
	Air-cooled Environmental Specifications	38
	Water-cooled Environmental Specifications.	39
	Shock and Vibration	40
4	Server Layout	
	General Recommendations	41
	Air-cooled Rack Layouts.	42
	Water-cooled Rack Layouts	44
	Service Clearance Requirements.	46

Seismic Tiedowns	46
Rack Bonding Spacers	48
5 Site Planning Checklist	

Figures

Figure 2-1	SGI UV 2000 System - Front View	24
Figure 2-2	SGI UV 2000 Air-cooled and Water-Cooled Systems - Rear View	25
Figure 2-3	IRU Components - Front	26
Figure 2-4	IRU Blowers - Rear	27
Figure 3-1	Wooden Crate Shipping Container Dimensions	30
Figure 3-2	Cardboard Crate Shipping Container Dimensions	31
Figure 3-3	SGI UV 2000 Compute Rack Dimensions (Routerless Configurations)	32
Figure 3-4	SGI UV 2000 Compute Rack Dimensions (Routed Configurations)	33
Figure 3-5	Rack Spacing	34
Figure 4-1	Single Air-cooled Rack Floor Layout (on 24-in by 24-in Grid)	42
Figure 4-2	Four Air-cooled Racks Floor Layout (Shown on 24-in by 24-in Grid)	43
Figure 4-3	Single Water-cooled Rack Floor Layout (Shown on 24-in by 24-in Grid)	44
Figure 4-4	Four Water-cooled Racks Floor Layout (Shown on 24-in by 24-in Grid)	45
Figure 4-5	Service Clearance Requirements (Shown on 24-in by 24-in Grid)	46
Figure 4-6	Seismic Tiedown Locations	47
Figure 4-7	Rack Bonding Spacer – Top of Rack	48
Figure 4-8	Rack Bonding Spacer – Bottom of Rack	48

Tables

Table 1-1	Floor Load Terminology	8
Table 1-2	Electrical Service Requirements	9
Table 1-3	Cooling Water Specifications (Example)	16
Table 3-1	SGI UV 2000 System Specifications	35
Table 3-2	Air-cooled System Environmental Requirements	38
Table 3-3	Water-cooled System Environmental Requirements.	39
Table 5-1	Site Planning Checklist	49
Table 5-2	Water-cooled Option Site Planning Checklist	51

Site Preparation Overview

This document provides information that helps management and facilities personnel prepare for an SGI UV 2000 server installation. It includes general site planning concepts as well as specific site requirements that you may use as a guide during the site planning and preparation process.

SGI site planning representatives are available in the United States of America for site planning consultation; contact a site planning representative by telephone in the USA at +1 715 726 2820; by fax at +1 715 726 2969; or by e-mail at site@sgi.com.

Contact your account manager to discuss your site planning, preparation, and installation plans and to obtain configuration information for any system.

Use the following steps as a planning guide for your system installation:

1. Identify the space, power, and environmental requirements for the system.
2. Select a location for the system and identify any necessary modifications.
3. Prepare the site according to the guidelines in this publication. You may use the site planning checklist in Chapter 5 on 49 of this document as a guide.

Warnings and Cautions

Read the following safety and warnings and cautions before you receive your SGI UV 2000 server.



Warning: The maximum weight of a single water-cooled SGI UV 2000 rack is:

- 2503 lb (1135 kg) when in shipping configuration
- 2012 lb (912 kg) when cabled and operating

This system must be moved and installed by trained SGI personnel or authorized agents only. Make sure that the weight of the rack and pallet jack does not exceed the maximum safe floor load limits at your location. Failure to do so may result in property damage, serious injury, or death.



Warning: The maximum weight of an SGI UV 2000 rack is 2503 lb (1135 kg). This system must be moved and installed by trained SGI personnel or authorized agents to ensure that the rolling weight of the rack and the pallet jack does not exceed the maximum safe floor load limits at your location. Failure to do so may result in property damage, serious injury or death.



Warning: The maximum operating weight of a single water-cooled SGI UV 2000 rack while operating is 2503 lb. (1135 kg). Make sure that the weight of the entire system does not exceed the maximum safe floor load capacity at your location. Failure to do so may result in property damage, serious injury, or death.



Caution: To avoid an impact related injury, keep the water-cooled doors closed when working near (or beneath) the rear of the rack.



Caution: To reduce the likelihood of exposure to personal injury or property damage, SGI recommends that you use a 27-in wide pallet jack to move the system racks or crates. Use the pallet jack to lift the rack only as far as needed to clear obstacles.

Pallet Jack Requirements

Two people are required to push or pull the rack, ideally a third to inspect and clear the path of any obstacles. When possible, use a pallet jack to move crates or racks, especially up/down ramps.

When a pallet jack is not available:

- Push rather than pull the system racks. It is easier and safer to push than to pull. You can use your body weight to assist when pushing.
- Keep close to the load and lock your arms. Try not to lean over and keep your back in its natural arches.
- Use both hands. Racks are easier to push and control using both hands.

About this Guide

This guide is intended for people who are responsible for physical site planning and preparation. By planning for your SGI UV 2000 system installation, you will have the opportunity to make adjustments to your site and order any additional facility equipment, thereby reducing the time required to install your system.

Obtaining Publications

To obtain SGI documentation, go to the SGI Technical Publications Library at <http://docs.sgi.com>.

Reader Comments

If you have comments about the technical accuracy, content, or organization of this document, please tell us. Be sure to include the title and document number of the manual with your comments. (Online, the document number is located in the front matter of the manual. In printed manuals, the document number is located on the back cover.)

You can contact us in any of the following ways:

- Send e-mail to site@sgi.com
- Contact your customer service representative and ask that an incident be filed in the SGI incident tracking system.
- Send mail to the following address:

SGI Site Planning
890 Technology Way
Chippewa Falls, WI 54729-0078
USA

Physical Location

This section addresses the issues that you need to consider when you select a physical location for a new system.

Selecting a Delivery Route



Warning: The maximum weight of a single water-cooled SGI UV 2000 rack is:

- 2503 lb (1135 kg) when in shipping configuration
- 2012 lb (912 kg) when cabled and operating

This system must be moved and installed by trained SGI personnel or authorized agents only. Make sure that the weight of the rack and pallet jack does not exceed the maximum safe floor load limits at your location. Failure to do so may result in property damage, serious injury, or death.

To ensure that the system can be delivered to the planned location, answer the following questions before you plan a delivery route for the new system:

- Will the shipping crate fit through doorways and hallways and on elevators?
In addition to measuring the width of the hallways along the planned delivery route, measure corners where the system might get stuck, the width and height of doorways and elevators, and other areas that may cause problems. Table 3-1 lists the relevant system dimensions.
- **SGI recommends that you use a pallet jack to position the rack as close as possible to its final destination.** If the shipping crate cannot be transported to the final destination, can you unpack the system somewhere else?

Often it is possible to unpack the system in a hallway or on a loading dock, and then roll the system to its final destination.

- Is the floor strong enough to support the weight of the system?

Determine the weight of each rack and verify that the floor along the delivery route can safely support the weight. Refer to Table 3-1 for the maximum weight per system rack. Refer to “Floor Requirements” on page 8 for information about floor loading.

Note: It may be necessary to depopulate IRUs in the rack to reduce the weight of the system. You may also consider using floor plates to disperse the weight of the system during transport to its final location.

- Is the elevator capable of lifting the system?

If the intended delivery route includes an elevator, check its weight capacity and size against the system specifications listed in Table 3-1. The use of freight blankets can reduce damage to the elevator or the system.

- Are there any steep angles, bumps, changes in level, or thick carpeting along the delivery route?

Large systems are typically equipped with casters. However, the casters are designed to roll easily only on relatively smooth, level surfaces. Ramps, sliding door channels, rough flooring, and even thick carpeting may present difficulty. If in doubt, arrange for additional assistance. The maximum access incline should not exceed 10 degrees (height:length = 1:6).

- Did you ensure that the leveling pads are fully retracted?

Some systems have screw-in leveling pads. If you move the system with these feet extended, severe damage to the chassis can occur. These feet sometimes unscrew during shipment. Before you unpack or move a system, ensure that the leveling pads are fully retracted.

Selecting a Final Location

Consider the following issues when you select a final location for the system:

- Will the system fit in its intended location?
Carefully calculate the total system dimensions to ensure that it will fit in its intended final location.
- Does the intended system location provide adequate access space for maintenance?
- Even if the system will fit in its intended final location, you must have room to maintain it. Ensure that you have enough room to open the doors, remove boards, and accomplish other routine tasks. Table 3-1 lists the relevant system dimensions. Chapter 4, “Server Layout” shows the typical computer room floor space requirements. As a general rule, SGI UV 2000 systems require 48-in of clearance from the front and rear of the rack. Side access to the rack is not required for service.
- Is the intended location subject to flooding, extremes of humidity or temperature, or any other factor that would make it inappropriate for sensitive electronic equipment?

The air temperature should not be too high and should not fluctuate dramatically, air should circulate freely and be relatively dust-free, and the system should not be exposed to any caustic or corrosive chemicals or vapors. Refer to Table 3-1 for computer room air temperature requirements.

- Will the system interfere with normal traffic through aisles, hallways, or entrance ways in the intended location?
- Will the intended location enable you to conveniently perform routine operations, such as loading and unloading media, attaching cables, and so on?
- Is the floor of the intended final location strong enough to support the weight of the system and any future expansions? Large systems should be installed in computer rooms with raised floors. Pay particular attention to floor loading and weight distribution in this case. Floor-loading specifications are typically calculated by averaging the total chassis weight that is distributed over the entire footprint of the chassis. Because the chassis sits on four casters or four leveling pads, the load at each of these four points is greater. Refer to “Floor Requirements” on page 8 for more information about floor loading.
- Does the intended location of the system allow for future expansion plans?
- Is there the potential for seismic activity in your area? Refer to “Seismic Tiedowns” in Chapter 4.

Floor Requirements

The total system weight on a facilities floor and the building structure must be considered. The computer room floor, as well as any floors along the delivery route, must be able to support the total weight of the computer system when installed as well as the weight of individual racks as they are moved into position.

Note: It may be necessary to depopulate IRUs in the rack to reduce the weight of the system. You may also consider using floor plates to disperse the weight of the system during transport to its final location.

Any floor system should be evaluated and verified by a structural engineer or appropriate floor consultant. They should use the manufacture's specifications to determine what floor loading characteristics the floor should have to support this computer equipment.

SGI recommends a bolted stringer understructure raised floor. Raised floor systems provide space to route power and signal cables as well as room for cooling water pipes if needed. The height of the raised floor should be at least 24-in (61 cm).

Table 1-1 lists some commonly used floor load terminology.

Table 1-1 Floor Load Terminology

Live Load	The load that the floor can safely support. Lbs/Sq Ft (KG/Sq m)
Concentrated Load	The load that a floor panel can support on one square inch at its weakest point, typically the center of the panel, without the panel deflecting more than a predetermined amount.
Ultimate Load	The maximum load per floor panel that the floor system can support without failure such as bending or braking.
Rolling Load	The load a floor panel can support without failure when a wheel or castor of a specified diameter and width is rolled across the panel.
Average Floor Load	Determined by dividing the total equipment weight by the area of the footprint of equipment expressed in Lbs/Sq Ft (KG/Sq M). Average floor loading is useful for determining floor loading at the building level, such as the area of solid floor or raised floor panels covered by the systems footprint.

Electrical Requirements

An SGI UV 2000 server requires electrical resources beyond those that are normally provided in a typical office environment. The following sections describe those requirements in general. These sections, along with the data presented in subsequent sections, can help you determine the exact requirements for the new system. Table 1-2 lists the electrical service requirements.

Table 1-2 Electrical Service Requirements

Electrical Service	Requirement
Phase imbalance	5% maximum (line-to-line, line-to-neutral)
Voltage harmonics	5% maximum total, 3% largest
Voltage deviation from sine wave	+5% to -10%
Voltage modulation	3% maximum
Transient voltage surges	+5%
Transient voltage sags	-5%
Frequency tolerance	5%
Frequency rate of change	Less than 1.0 Hz during any 10-cycle period

Voltage Requirements

SGI UV 2000 servers ship with the option of either single-phase or three-phase input power. Refer to Table 3-1 for the voltage requirements of the rack. You must ensure that your account manager knows of your needs before the system is ordered.

Ensure that the required voltage is available and is within a reasonable distance of the intended location. If it is not, the site must be wired for the required voltage.

Power Requirements

Power is measured in voltamperes (VA) and watts. Both measurements are important when you prepare to install wiring, power conditioning, and cooling.

A VA rating is a function of the voltage and amperage of a system. A watt rating is the VA rating multiplied by its power factor (refer to the section titled “Power Factor” on page 12). You can convert among amps, volts, VA, power factor, and watts by using the following formulas:

Single Phase	Three Phase
$VA = (\text{Amps} \cdot \text{Volts})$	$VA = (\text{Amps} \cdot \text{Volts} \cdot 1.73)$
$VA = \left(\frac{\text{Watts}}{\text{Power Factor}} \right)$	$VA = \left(\frac{\text{Watts}}{\text{Power Factor}} \right)$
$\text{Watts} = (VA \cdot \text{Power Factor})$	$\text{Watts} = (VA \cdot \text{Power Factor})$
$\text{Amps} = \left(\frac{\text{Watts}}{\text{Volts} \cdot \text{Power Factor}} \right)$	$\text{Amps} = \left(\frac{\text{Watts}}{\text{Volts} \cdot \text{Power Factor} \cdot 1.73} \right)$

Even one SGI UV 2000 server rack can require more power than is routinely available in an office environment (up to 29 kVA). A room full of racks will almost certainly require specially installed electrical circuits. Refer to Table 3-1 for the power requirements of the rack. (The calculated power consumption for specific SGI UV 2000 rack configurations is available from your SGI site planning representative.)

Note: To maintain a ground potential of less than 250 millivolts between interconnected SGI UV 2000 systems, SGI requires that all power circuits that supply power to an SGI UV 2000 system originate from the same distribution panel if possible. If not, they must originate from the same source (transformer). Electrical work and installations must comply with all applicable local, state, and national electrical codes.

SGI makes every effort to minimize the effects of power failures and interruptions to the system hardware. Studies indicate that computer systems that are subjected to repeated power interruptions and fluctuations experience higher component failure rates than systems with stable power sources.

SGI encourages you to install a stable power source, such as an uninterruptible power system (UPS), to minimize component failures. Each SGI UV 2000 system and each piece of support equipment requires its own customer-supplied receptacles. If you have difficulty obtaining the correct receptacles as listed in Table 3-1, please contact your account manager.

Note: The wattages listed in this guide are the system maximums. While most systems may never draw the maximum rated wattage, SGI recommends that you install wiring that is capable of supporting the system's maximum potential wattage.

If, after you add up the power requirements of all the devices in the room, you find that the total is close to the limit that the existing wiring can support, you should install additional power circuits to support the systems.

Grounding Requirements

- Ensure that the ground has sufficiently low impedance in order to limit the voltage to ground and to facilitate the operation of protective devices in the electrical circuit.
- Ensure that all grounds entering the room are interconnected somewhere within the building to provide a common ground potential. This includes any separate power sources, lighting, convenience outlets, and other grounded objects such as building steel, plumbing, and ductwork. Refer to the *IEEE Emerald Book: IEEE Recommended Practices for Powering and Grounding Electronic Equipment* and the *National Electric Code (NEC)* for power, grounding, and life safety issues.



Caution: Any difference in ground potential greater than 250 millivolts between two racks can cause severe equipment damage.

- To maintain your entire SGI UV 2000 server at the same electrical potential, all multiple-rack systems must be bolted together. Refer to “Rack Bonding Spacers” on page 48 for more information.

Power Factor

Power factor is a number between 0 and 1 that represents the ratio of the total power in watts to the total volt-amperage input. A system with a power factor of one (sometimes called “unity”) is making full use of the energy that it draws. A system with a power factor of 0.75 is effectively using only three-quarters of the energy that it draws.

SGI UV 2000 servers are power-factor corrected and thus have a power factor very close to 1. Some peripherals do not have this correction built in.



Caution: Ensure that you consider the power factor of the system when you select an uninterruptible power supply (UPS).

Inrush Current

Inrush current is the peak current that flows into a power supply as AC power is applied. The inrush current is usually much higher than the nominal current. This temporary increase is due to the charging of the input filter capacitors in the power supply and is limited only by the input impedance of the power supply and the wiring that supplies power to the system.

The inrush current often far exceeds the rating of the electrical outlet to which the system is connected. If the system is connected directly to “wall power” (that is, it is not on a UPS or a standby power system [SPS]), this is typically not a problem. The peak inrush current lasts for only a part of one AC cycle (less than 1/60 of a second). This is not long enough to damage wiring and, in most cases, will not trip a circuit breaker (depending on the delay curves of the circuit breaker).

It is very important that you consider the inrush current of the system when you select a UPS or SPS. Unlike power-company lines, these power-conditioning devices may not be able to supply the current that is required during power-on, even if they are sized appropriately for nominal current loads. For more information, refer to the following “Power-line Treatment” section.

It is possible for the inrush current drawn by a device to cause a slight drop in the line voltage. Although it is very brief, this drop can, in unusual situations, be enough to cause problems in other devices on the same line.

Inrush current is a characteristic of the power supplies in a system. The inrush current values apply whether the system is heavily or lightly loaded. Therefore, although a lightly loaded system may draw less power while it is running, it may still draw a very large inrush current.

SGI UV 2000 servers typically have low inrush characteristics.

Power-line Treatment

Power-line treatment may be required if the site has unstable power that results in problems such as fluctuating voltage, transients, surges and spikes, and noise. Common causes of unreliable power are old wiring; load-switching equipment, such as welding and plating devices; and variable-speed motors or motors that start and stop frequently.

A variety of devices are available to improve the quality of a power line, including:

- Line conditioners
- Line regulators
- Isolation transformers
- UPSs

Ask your SGI representative for more information about power solutions.

Total Harmonic Distortion

Total harmonic distortion (THD) is a measure of the extent to which a waveform is distorted by harmonic content. This rating indicates how much the power supply in the system affects the quality of power delivered to other systems that are supplied by the same transformer. THD for SGI UV 2000 systems is less than 10% at full load for both air-cooled and water-cooled systems.

Note: While the term *total harmonic distortion* can be applied to either voltage or current, all of the numbers listed in this guide apply to current.

Thermal Requirements

It is important that the SGI UV 2000 servers be maintained within their rated thermal range.

Refer to Table 3-1 on page 35 for the temperature ranges for each rack, both operating and nonoperating as well as the recommended operating ambient temperature. Typically, the upper limit of the temperature range is more likely to become a problem than the lower limit.

Heat Output

All of the systems that this guide describes have a maximum rated operating temperature. Exceeding this temperature greatly increases the rate of hardware failure and, in many cases, causes the system to shut itself down.

All of the power consumed by a computer system must exist as some form of energy. For air-cooled systems, this energy exists in the form of heat in the surrounding air. Every watt drawn by a system is eventually dissipated as heat. This heat tends to raise the temperature of the air in the room that houses the system. Therefore, some method is needed to keep the temperature within the required range. The typical method is to install additional process cooling capacity or to order a system with water-cooled racks.

The maximum heat dissipation-to-air per rack is listed in Chapter 3, “Specifications”.

Air-conditioning Terminology

Air-conditioning capacity is generally measured in Btu/hr, tons, or kilocalories (kcal). A Btu, or British thermal unit, is the amount of energy needed to raise the temperature of one pound of water by one degree Fahrenheit at a constant pressure of one atmosphere. One ton of air conditioning removes 12,000 Btu of heat energy per hour.

The more systems that are installed in a given area, the larger the air-conditioning capacity that is required. It is important to calculate the total thermal load of the systems that you will be installing and determine whether the existing air-conditioning system can handle the additional load. If not, you must provide additional cooling capacity.

Calculating Thermal Load

You can calculate the thermal load as follows:

1. Add the wattages of all the items in the room.
2. Calculate Btu/hour by multiplying the total wattage by 3.41.
3. Calculate the kcal/hour by multiplying the total wattage by 3.23.
4. Calculate the tons of air-conditioning load by dividing Btu/hr by 12,000.
1 kBtu/hr = 1000 Btu/hr
12,000 Btu/hr = 1 ton of air-conditioning load

The calculations above yield results that represent the maximum thermal output of the equipment. These calculations and the heat-dissipation numbers that Table 3-1 on page 35 lists are based on maximum rated wattage.

The thermal figures quoted in this guide are likely to be worst-case figures.

Some sources quote a “typical” thermal output for a system, which may be significantly less than the numbers listed in this guide. Selecting an air-conditioning capacity that accommodates the “worst-case” thermal output, however, helps to minimize system problems later.

When you calculate the air-conditioning capacity that is required, be sure to include the heat load from computer equipment that is already installed at the site, noncomputer equipment that is already installed at the site, and the computer equipment that is being added. Also remember to include noncomputer equipment that is already installed or will be installed, and other factors such as solar gain, outside ambient air temperatures, and the number of people who work in the room.

Water-cooled Rack Requirements

If water-cooled SGI D-racks will be used to provide proper cooling at your site, the following requirements must be met:

- “Cooling Water Requirements” on page 16
- “Piping Requirements” on page 17
- “Cooling Water Supply Requirements” on page 17

Cooling Water Requirements

Each water-cooled rack requires a customer-supplied source of clean cooling water. The system will operate on cooling water supply temperatures from 45 °F (7 °C) to 60 °F (15.5 °C). The actual heat rejection to water, water flow rate, and pressure drop values depend on the temperature of the water used.



Caution: Water flow and pressure drop values will differ for treated water (antifreeze, corrosion inhibitors, etc.) depending on the percentage (maximum 30% by volume) of treatment in the solution. Water flow and pressure drop values will also differ with the temperature and pressure of the water supply. Water pressure must be limited to 100 psig (690 kPA) maximum.

Example:

The following example values are based on 100% water at a supply temperature of 55 °F (12.8 °C). This example assumes that 95% of the heat load is rejected to water and 5% to the computer room air. Anticipated water-temperature increase across the coil is 22 °F (12.2 °C).

Table 1-3 Cooling Water Specifications (Example)

	Heat Rejection to Water (based on a rack at 19.88 kW)		Water Flow Rate		Pressure Drop	
	kBTU/hour	Tons	gpm	m ³ /hour	psi	kPA
Each Rack	65	5.42	5.60	1.27	10	69

Piping Requirements

Water piping must be installed under the raised floor within 4 ft. (1.2 m) of the rear of each compute rack. SGI supplies flexible hoses with female quick-disconnect couplings to connect the water-cooled coil to the facility piping connectors. Each water-cooled rack requires one supply and one return pipe connection. It is the customer's responsibility to supply one of the following types of male quick-disconnect nipples:

- Parker - Part Number BH6-61
- Aeroquip - Part number FD45-1086-12-12
- Hansen - Part number B6-K31

SGI also recommends that you:

- Place isolation valves (ball-valves or butterfly valves) near the quick-disconnect nipples
- Insulate the chilled-water supply and chilled-water return piping under the raised-floor to minimize condensation
- Install a condensate drain/pipe to provide connection to an SGI supplied 6 ft (1.8 m) long, 1/2 inch (12.7 mm) outside diameter, and 3/8 inch (9.5 mm) inside diameter flexible nylon drain hose from each rack.

You must supply one 1/2-inch push-to-connect type fitting [Parker P/N W68PL-8-8 or equivalent] connection point within 4 ft (1.2 m) of each associated rack floor cutout.

Cooling Water Supply Requirements

The water-cooled coils can be supplied with water ranging in temperature from 45 to 60 °F (7.2 to 15.6 °C); however, water temperatures cooler than 60 °F (15.6 °C) could cause condensate to form on the hoses and manifolds.

The customer may treat the cooling water with glycol or corrosion inhibitors up to a maximum of 30%. Water pressure must be limited to 100 psig (690 kPa) maximum.

Based on pure cooling water supplied at 60 °F (15.6 °C), each water-cooled rack could require up to 12 gpm (2.72m³/hr). SGI will provide rates based on you specific configuration. The corresponding cooling water pressure drop for the (coil + hoses + mated quick-disconnect fittings) shall be less than 30 psig (207 kPa). These flow and pressure drop values are based on analytical modeling of expected coil performance.

Thermal Gradient

Table 3-1 on page 35 includes a maximum thermal gradient for each system. The thermal gradient is the rate at which the temperature changes, which is typically expressed in degrees per hour. Temperature changes that are more rapid than the given rate can damage some of the components in the system.

Unless otherwise indicated, the thermal gradients listed apply whether or not the system is operating.

Cooling In Mission-critical Installations

In mission-critical installations, it is important to consider what would happen if an air conditioner or chiller failed. Complete consideration of this topic is beyond the scope of this guide; however, consider the following questions:

- Should the site have multiple air-conditioning or chiller units, each capable of maintaining a safe temperature?
- If an air conditioner or chiller fails, how long can the systems run before they get too warm and must be shut off?
- Can the air conditioner or chiller be repaired before the systems get too warm?

Environmental Requirements

Electromagnetic interference (EMI), electrostatic discharge (ESD), vibration, and humidity can cause problems for computer systems.

Electromagnetic Interference

Electromagnetic interference (EMI) is caused by malfunctioning, incorrectly manufactured, or incorrectly installed devices that radiate electrical signals. Common sources of EMI include electronic, telephone, and communications equipment. EMI transmissions can be conducted or emitted.

Use properly shielded connectors and cables throughout the site.



Caution: Failure to use shielded cables where appropriate may violate FCC regulations and void the manufacturer's warranty.

Electrostatic Discharge

SGI designs and tests its products to ensure that they resist the effects of electrostatic discharge (ESD). However, it is still possible for ESD to cause problems that range from data errors and lockups to permanent component damage. To protect the systems from ESD, follow these precautions:

- Minimize the use of carpeting at computer locations (or consider special static-reducing carpet).
- Ensure that all electronic devices are properly grounded.
- Keep chassis doors and access panels closed while the system is operating.
- Fasten all screws, thumbnail-fasteners, and slide locks securely.
- Use a grounded static wrist strap whenever you work with the chassis or components.
- Use antistatic packing material for storage and transportation.
- Clear the site of all devices that create static electricity or provide possible sources of EMI.

Vibration

The SGI UV 2000 server is designed for typical computer room environments; it requires no special modifications or protection. If you plan to install a system at an industrial site, ensure that vibration does not exceed the limits in Table 3-1 on page 35.

Humidity

Table 3-1 on page 35 lists the maximum humidity levels for each rack, both operating and nonoperating. Exposure to humidity levels above the rated maximums and/or exposure to condensation can damage equipment.

Humidity Gradient

Table 3-1 on page 35 lists the maximum humidity gradient for the system. The humidity gradient is the rate at which the humidity changes, which is typically expressed in percent relative humidity per hour. Humidity changes that are more rapid than the given rate can damage some of the components in the system. Unless otherwise indicated, the humidity gradients that are listed apply whether or not the system is operating.

Ergonomic Requirements

When you select a physical location, pay attention to ergonomic considerations. The location of a system often restricts the location of the devices that attach to it, such as monitors, keyboards, and so on. Decisions that are made during the installation process can affect workers much later.

In addition to attached devices, consider other issues such as noise, temperature, air quality, and so on, some of which may be affected by the addition of the new system.

Acoustics

The acoustic measurement that Table 3-1 on page 35 lists is approximate. Acoustic values depend on many factors that are outside the control of the manufacturer. Room characteristics such as carpeting and wall coverings affect the noise levels at an installation. The acoustic measurement provided in this document is in dBa (decibels absolute) rather than dB (decibels). This is a measurement of weighted absolute noise power, and it includes frequency corrections.

If a site exceeds desirable noise levels, try these remedies:

- Reduce the quantity of flat reflective surfaces, such as glass, tile, or metal.
- Add sound-absorbing wall coverings, drapes, and ceiling tiles.
- Add sound baffles in critical locations (without blocking airflow).
- Modify the office space to separate the operators from the hardware.

Local Regulations

Before system installation, become familiar with any applicable local regulations. Because these vary dramatically by country and state, it is difficult for SGI to provide a complete list of such regulations. These regulations, however, might involve:

- Power
- Emissions
- Safety issues
- Ergonomic and health issues
- Telecommunications

If you have suggestions about obtaining the local regulations, please ask your SGI representative for assistance.

Planning for the Future

Even if the existing infrastructure can handle the immediate site needs, consider the future plans. It is much easier to provide enough space, power, air-conditioning capacity, chilled water capacity and other resources in advance, rather than to add them later.

Components

An SGI UV 2000 system can scale to 2,048 Intel processor cores, terabytes (TBs) of memory, and petabytes (PBs) of storage in a cache-coherent single system image (SSI).

A single 42U rack supports a maximum of 512 processor cores (when configured with eight-core Intel Xeon processors) and 4TB of memory (refer to Figure 2-1 and Figure 2-2).

The standard cooling method for the SGI UV 2000 systems is blower-driven air cooling. Each individual rack unit (IRU) contains nine blowers that are mounted at the rear of the rack.

Optional supplemental water cooling is available for cases where conventional computer room air cooling is not adequate. Water-cooled coils are supplied for each IRU in the rack. Hot air is exhausted through each IRU cooling coil which transfers the heat from the air prior to entering the computer room. Refer to Table 3-1 on page 35 for the water-cooled option facilities requirements.

Note: Contact *site@sgi.com* for specific power and cooling specifications for your system configuration to determine if your facility will require the water-cooled option.

Server Racks

Each SGI UV 2000 server rack contains four individual rack units (IRUs), several power distribution units (PDUs), and optional service nodes (refer to Figure 2-1).

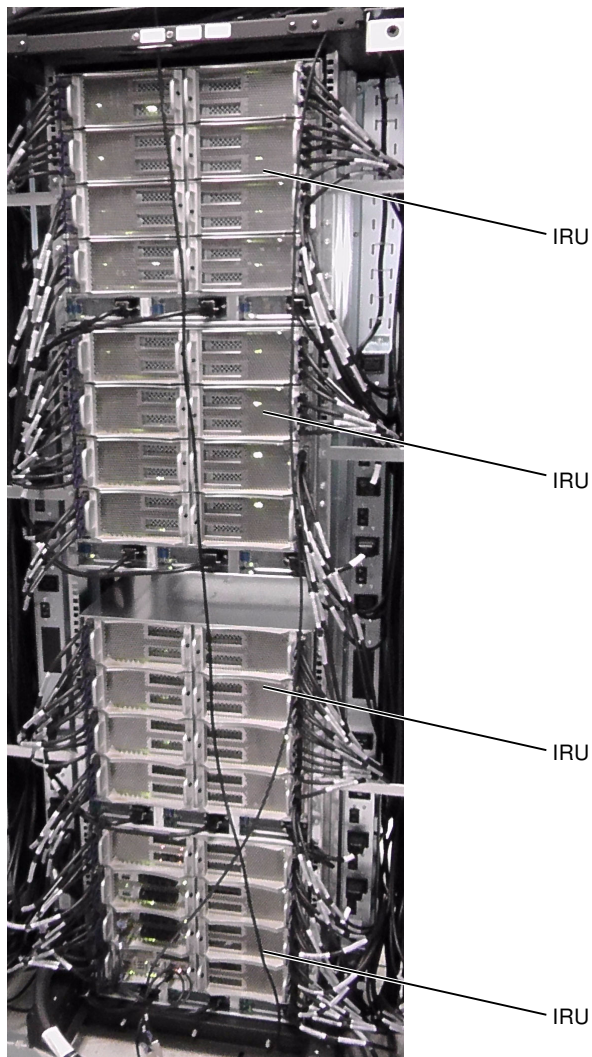


Figure 2-1 SGI UV 2000 System - Front View

The racks can be air cooled or water cooled (refer to Figure 2-2). The water-cooled configuration circulates facility chilled-water through cooling coils mounted to the rear of the rack. Exhaust air from components in the rack cools as it passes through the coils, which lowers the temperature of the air returned to the computer room. The water running through the coils carries away up to 95 percent of the heat generated by the components in the rack.

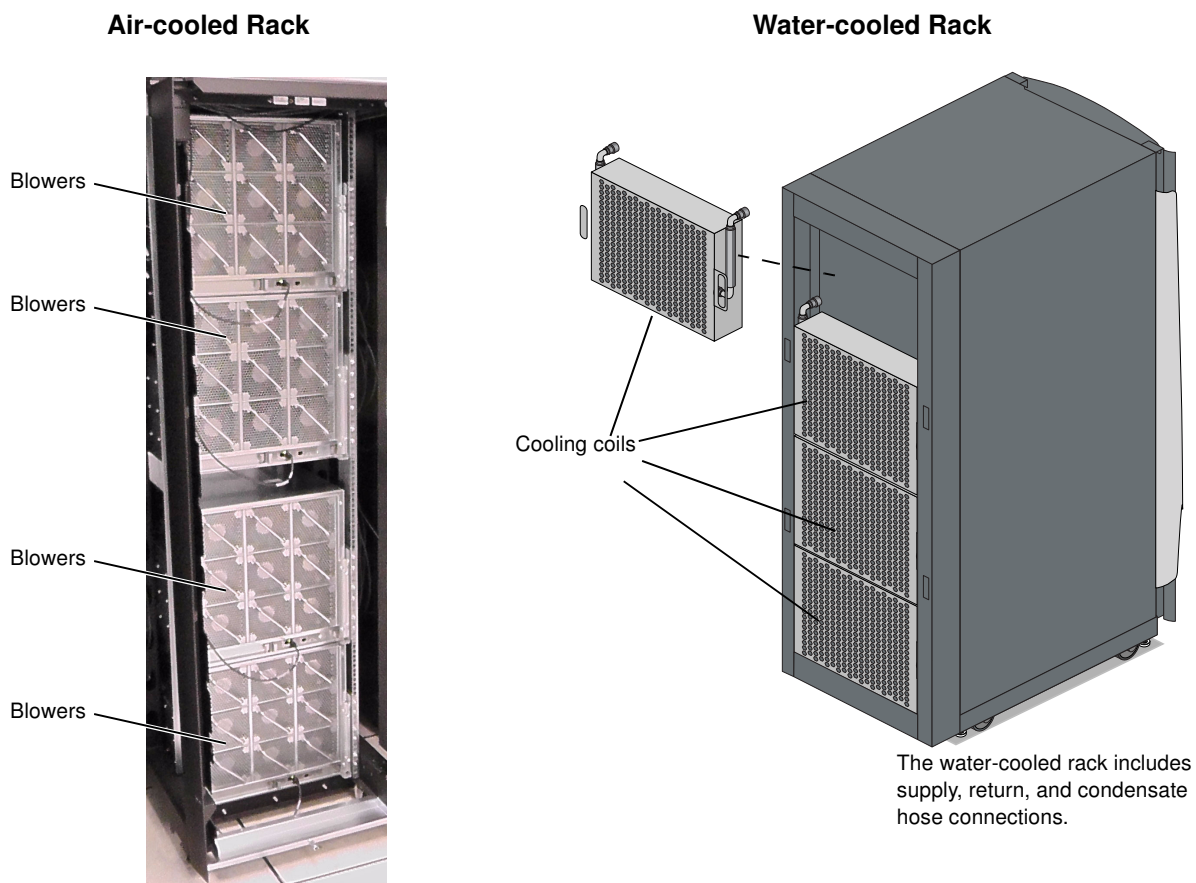


Figure 2-2 SGI UV 2000 Air-cooled and Water-Cooled Systems - Rear View

Individual Rack Unit

The basic building block is the individual rack unit (IRU). The IRU provides power, cooling, system control, and the network fabric for eight compute blades. Each compute blade supports two four-core, six-core, or eight-core Xeon processor sockets and 16 fully-buffered DDR3 memory DIMMs. Four IRUs reside in a 42U high rack (refer to Figure 2-1).

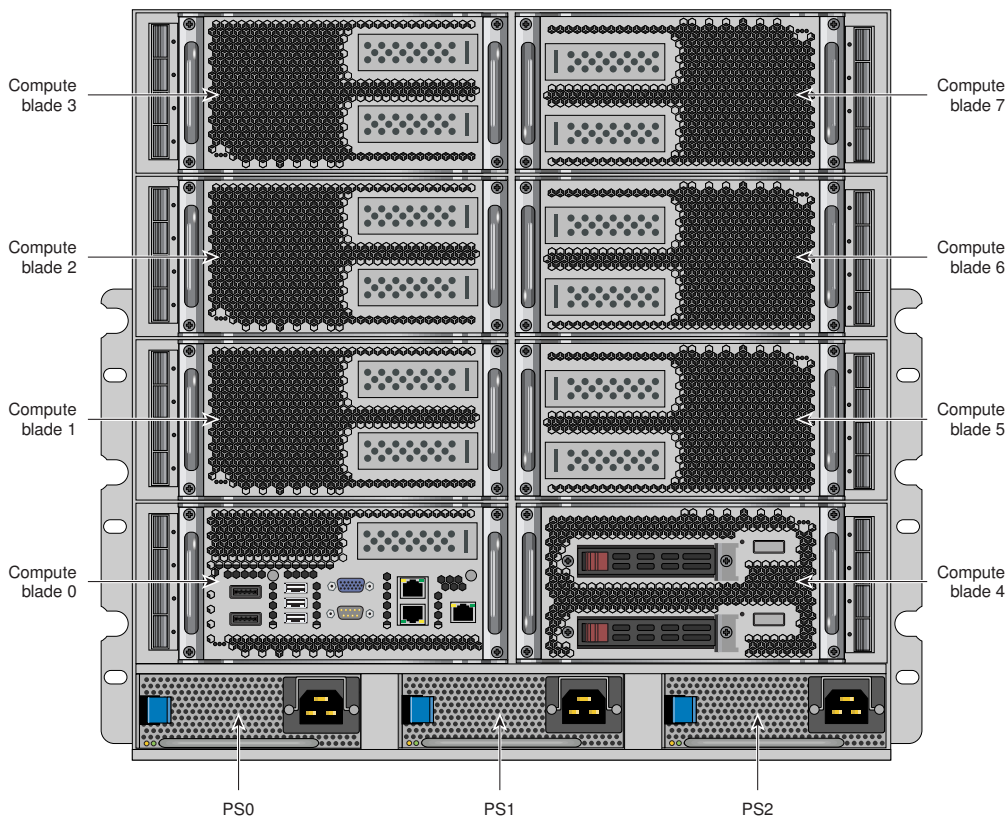


Figure 2-3 IRU Components - Front

Power Supplies

The IRU contains three hot-swappable 2837 watt or 3037 watt power supplies located along the bottom front of the IRU chassis (labeled PS0 through PS2 in Figure 2-3).

Cooling

Nine blowers move air from the front of the IRU and exhaust it out the rear (refer to Figure 2-4). Optional water-cooled coils can be added to the rear of the rack if the computer room environment requires additional cooling capacity (refer to Figure 2-2).

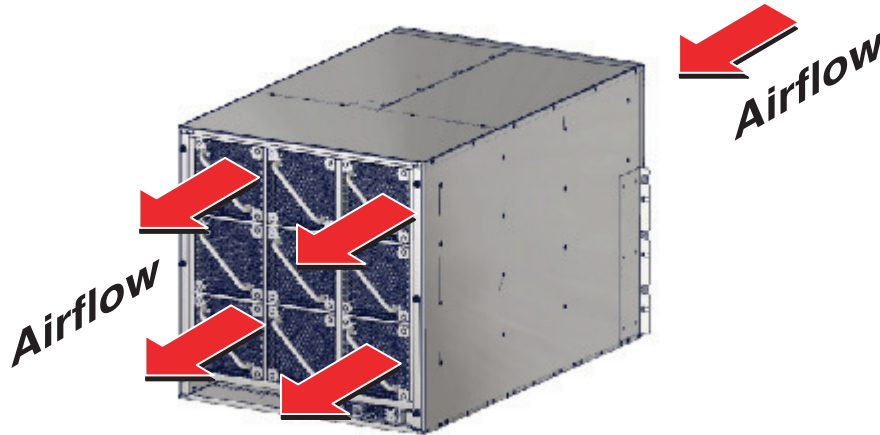


Figure 2-4 IRU Blowers - Rear

I/O Expansion Racks

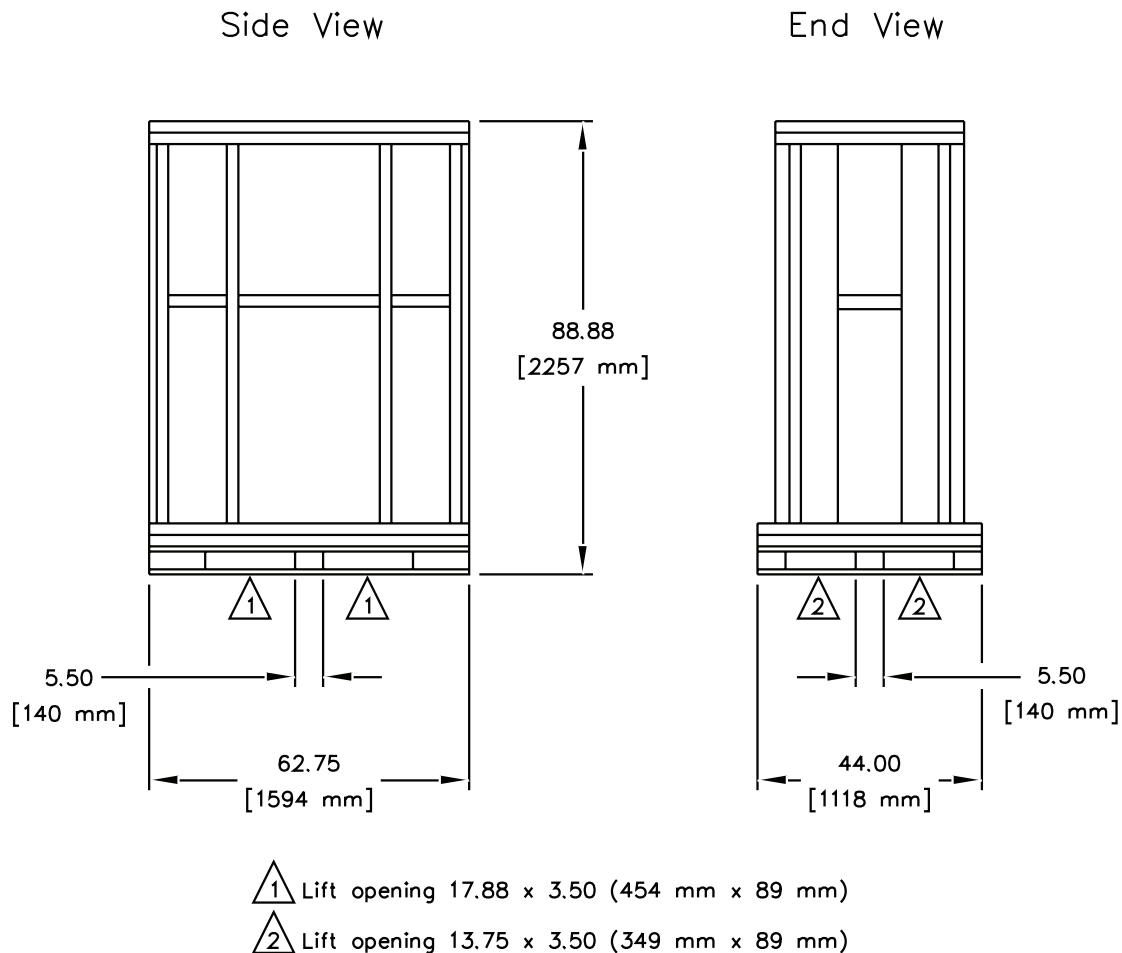
I/O expansion racks are typically used to hold the system console, the system management node, switches, and storage. I/O expansion racks use the same racks (SGI D-racks) as compute racks.

Specifications

This section provides a summary of the mechanical, electrical, and environmental specifications for SGI UV 2000 systems.

Shipping Container Specifications

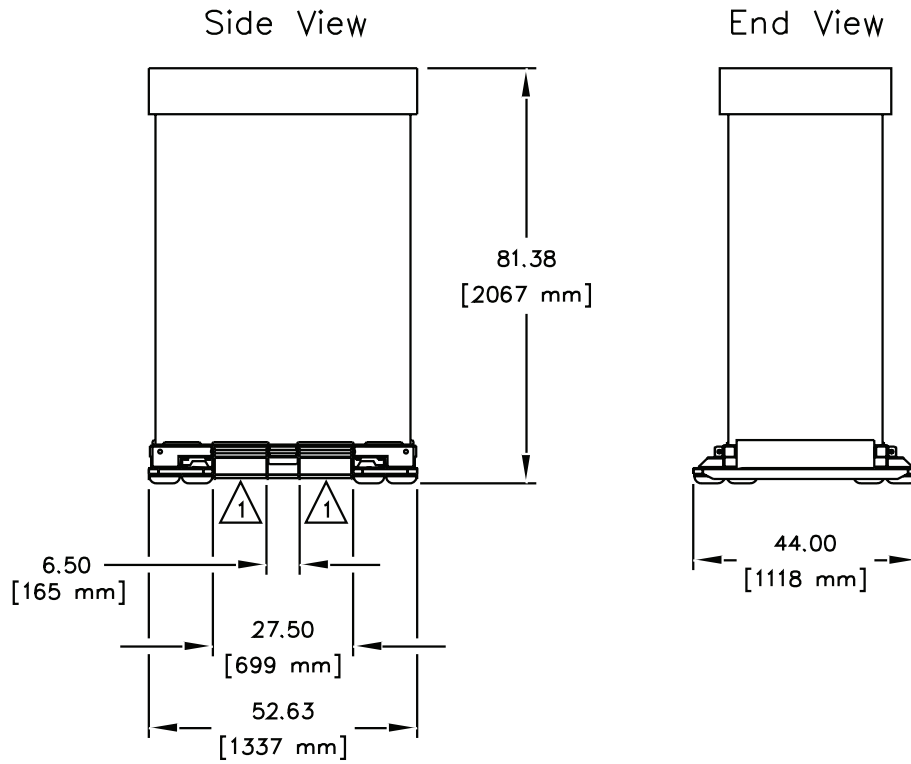
Figure 3-1 and Figure 3-2 show and Table 3-1 lists the shipping container dimensions and specifications.



Note:

The shipping container consists of a wooden pallet with removable wooden sides and top. An end panel serves as a ramp for unloading the rack.

Figure 3-1 Wooden Crate Shipping Container Dimensions



△ 1 ForkLift Openings 3.31 x 10.13 (84 mm x 257 mm)

Figure 3-2 Cardboard Crate Shipping Container Dimensions

Rack Dimensions

Figure 3-3 and Figure 3-4 show the SGI UV 2000 server rack dimensions for the various rack configurations.

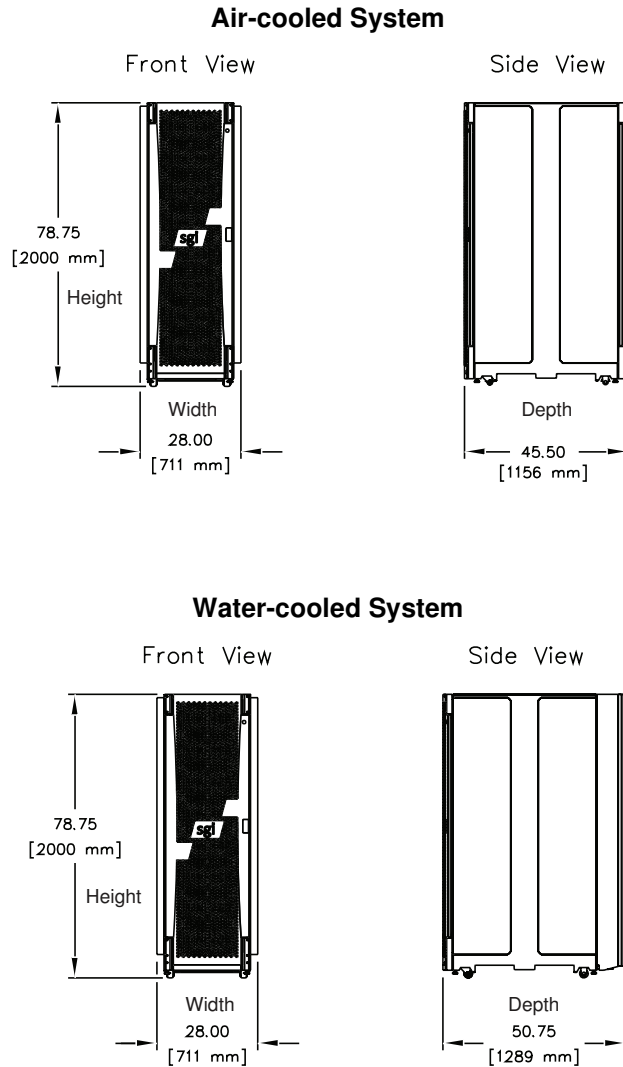
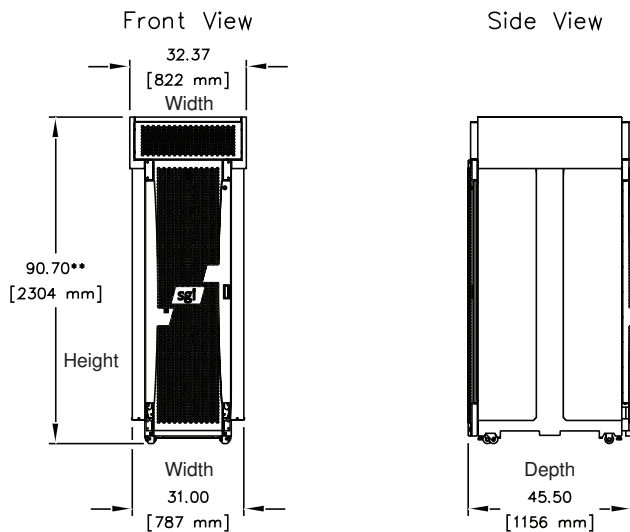


Figure 3-3 SGI UV 2000 Compute Rack Dimensions (Routerless Configurations)

Air-cooled System



**Rack height can be reduced to 78.75 in (2000 mm) for shipping.

Water-cooled System

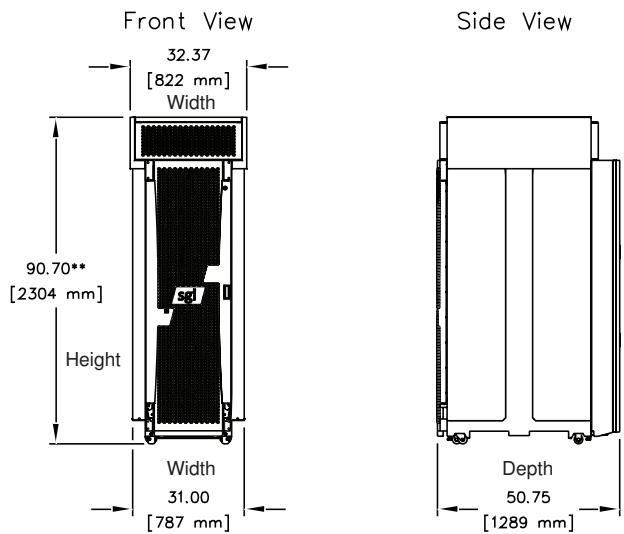
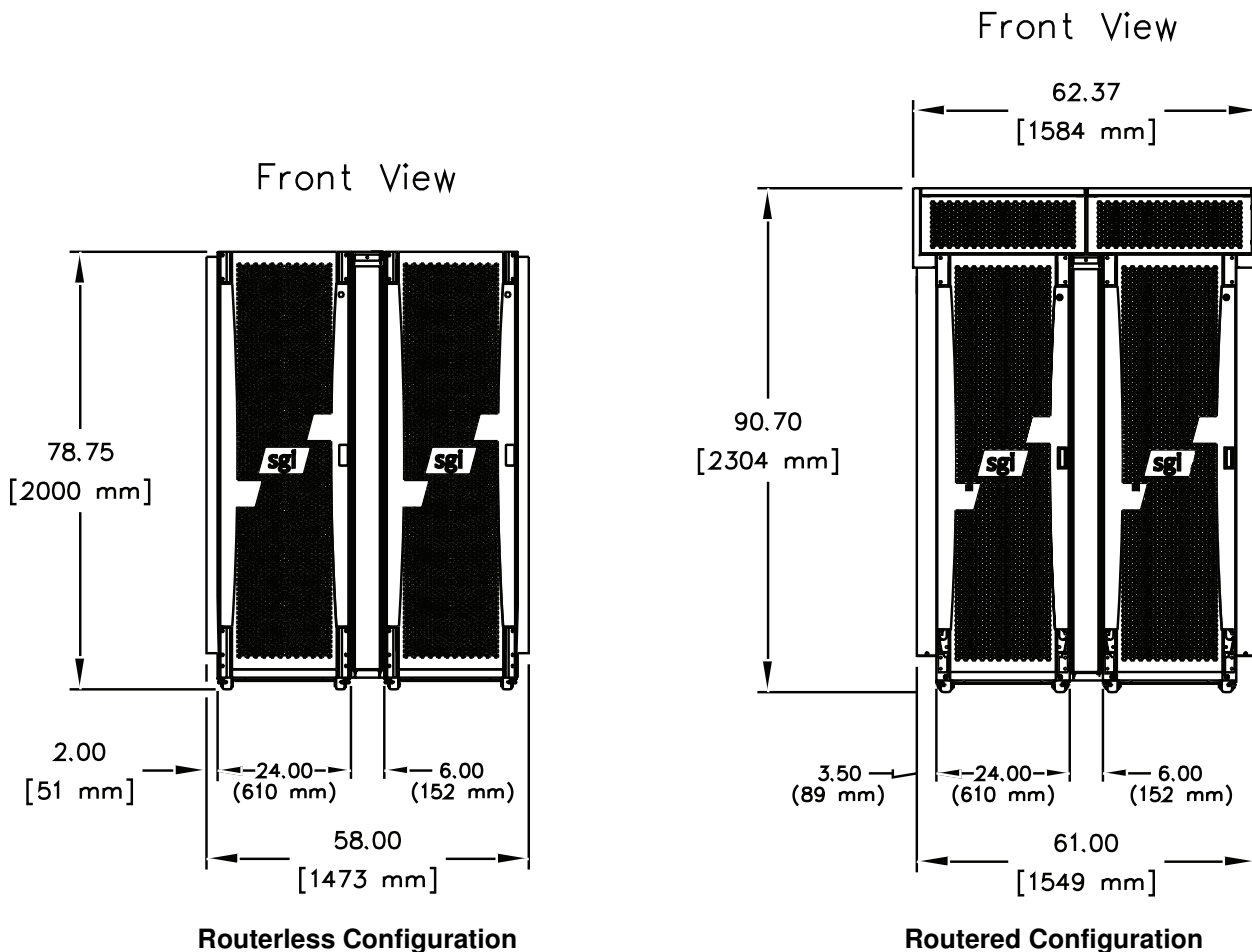


Figure 3-4 SGI UV 2000 Compute Rack Dimensions (Routed Configurations)

Rack Spacing

SGI UV 2000 systems use special rack bonding spacer kits that provide six inches of space between the racks. (Refer to “Rack Bonding Spacers” on page 48.)



Note: The dimensions shown in this figure are valid for both air-cooled configurations and water-cooled configurations.

Figure 3-5 Rack Spacing

System Specifications

Table 3-1 SGI UV 2000 System Specifications

Characteristic	Specification	
	Air-cooled Configuration	Water-cooled Configuration
Mechanical Requirements		
Maximum rack dimensions:		
Height (without octal router chassis)	78.75 in (2000 mm)	78.75 in (2000 mm)
Height (with octal router chassis)	90.70 in (2304 mm)	90.70 in (2304 mm)
Width (without octal router chassis)	28.00 in (7111 mm)	28.00 in (7111 mm)
Width (with octal router chassis)	32.37 in (822 mm)	32.37 in (822 mm)
Depth	45.50 in (1156 mm)	50.75 in (1289 mm)
Maximum shipping dimensions:		
Wooden shipping container:		
Height	88.28 in (2258 mm)	88.28 in (2258 mm)
Width	44.00 in (1118 mm)	44.00 in (1118 mm)
Depth	62.75 in (1594 mm)	62.75 in (1594 mm)
Cardboard shipping container:		
Height	81.38 in (2067 mm)	Water-cooled configurations are not shipped in cardboard shipping containers.
Width	44 in (1118 mm)	
Depth	52.83 in (1337 mm)	
Weight (maximum while operating):		
Compute rack	1715 lbs (778 kg)	2012 lbs (912 kg)
Shipping weight (maximum):		
Compute rack	2206 lbs (1000 kg)	2503 lbs (1135 kg)
Access requirements:		
Front	48.00 in (1219 mm)	48.00 in (1219 mm)
Rear	48.00 in (1219 mm)	48.00 in (1219 mm)
Top	18.00 in (457 mm)	18.00 in (457 mm)
Side	None	None

Table 3-1 SGI UV 2000 System Specifications **(continued)**

Characteristic	Specification	
	Air-cooled Configuration	Water-cooled Configuration
Electrical Requirements		
Voltage:		
Single phase option (200/240 VAC)	180 to 264 VAC	180 to 264 VAC
Three-phase options:		
208 VAC or 400 VAC	180 to 264 VAC (North America/Japan) 312 to 440 VAC (International)	180 to 264 VAC (North America/Japan) 312 to 440 VAC (International)
480 VAC	456 to 504 VAC (North America/Japan) N/A (International)	456 to 504 VAC (North America/Japan) N/A (International)
Frequency:	47 - 63 Hz	47 - 63 Hz
Phases	Single-phase or optional three-phase	Single-phase or optional three-phase
Power requirements, fully configured rack	28.69 kVA (28.12 kW) (maximum) 19.48 kVA (19.09 kW) (typical ^a)	28.69 kVA (28.12 kW) (maximum) 20.29 kVA (19.88kW) (typical ^b)
Hold-up time	16 ms	16 ms
Power cable	8 ft (2.4 m) pluggable drop cords	8 ft (2.4 m) pluggable drop cords
Power receptacles:		
Compute rack (single-phase option)	Eight NEMA L6-30R, 30 A (North America/Japan) Eight IEC60309, 32 A (International)	Eight NEMA L6-30R, 30 A (North America/Japan) Eight IEC60309, 32 A (International)
Compute rack (three-phase options):		
208 VAC or 400 VAC	Two IEC60309, 60 A (North America/Japan) Two IEC60309, 32 A (International)	Two IEC60309, 60 A (North America/Japan) Two IEC60309, 32 A (International)
480 VAC	One IEC60309, 60 A (North America/Japan) N/A (International)	One IEC60309, 60 A (North America/Japan) N/A (International)
Wall breaker size:		
Single-phase (North America/Japan)	Multiple 30 A	Multiple 30 A
Single-phase (Europe)	32 A	32 A
Three-phase (North America/Japan)	60 A	60 A
Three-phase (Europe)	32 A	32 A

Table 3-1 SGI UV 2000 System Specifications **(continued)**

Characteristic	Specification	
	Air-cooled Configuration	Water-cooled Configuration
Electrical Requirements (cont.)		
Total harmonic distortion (THD)	Less than 10% at full load	Less than 10% at full load
Environmental Requirements		
Non-operating environment:		
Temperature	-40 to 140 °F (-40 to +60 °C)	-40 to 140 °F (-40 to +60 °C)
Humidity	8% to 95% non-condensing	8% to 95% non-condensing
Altitude	40,000 ft. (12,192 m) max.	40,000 ft. (12,192 m) max.
Operating environment:	Refer to Table 3-2 for the air-cooled rack environmental requirements.	Refer to Table 3-3 for the water-cooled rack environmental requirements.
Acoustical noise level (maximum)	TBD	TBD
Heat dissipation to air (maximum)	95.95 kBTU/hr (8.00 tons) (maximum)	10% of total power load (maximum)
Compute rack	65.14 kBTU/hr (5.43 tons) (typical ^a)	5% of total power load (typical ^b)
Cooling requirement (Ambient air or water-cooled)	Refer to “Air-cooled Environmental Specifications” on page 38.	Refer to “Water-cooled Environmental Specifications” on page 39.
Airflow (intake, front; exhaust, rear)	3600 CFM (6,116 m ³ /hr) (maximum) 2400 CFM (4,078 m ³ /hr) (typical ^a)	3600 CFM (6,116 m ³ /hr) (maximum) 2400 CFM (4,078 m ³ /hr) (typical ^b)

a. Typical power/cooling for an air-cooled configuration is based on a system running the Linpack benchmark with 64 130W processors, 4,096GB memory (using 8GB DIMMs), one BaseIO riser, two disk risers, and two PCI cards.

b. Typical power/cooling for a water-cooled configuration is based on a system running the Linpack benchmark with 64 130W processors, 512 8GB DIMMs (4,096GB), one BaseIO riser, two disk risers, one PCI card, and 16 router blades.

Air-cooled Environmental Specifications

Table 3-2 lists the maximum operating environmental specifications for an air-cooled SGI UV 2000 server.

Table 3-2 Air-cooled System Environmental Requirements

Characteristic	Specification
Maximum Environmental Requirements	
Humidity	10% to 90% non-condensing Rate of change must not exceed 10% relative humidity/hour
Operating environment:	
Air temperature (0 to 5,000 ft.)	41 to 95 °F (5 to 35 °C)
Air temperature (5,000 ft. to 10,000 ft.)	41 to 86 °F (5 to 30 °C)
Optimal Environmental Requirements	
Humidity	45% to 55% non-condensing 45% (optimum) Rate of change must not exceed 10% relative humidity/hour
Operating environment:	
Air temperature	64 to 81 °F (17.8 to 27.2 °C) 72 °F (22.2 °C) (optimum)

Water-cooled Environmental Specifications

To help minimize condensation on the coil during normal operation it is recommended to maintain the ambient air in the computer room within the limits in Table 3-2. Table 3-2 lists the maximum operating environmental specifications for an water-cooled SGI UV 2000 server and the optimal specifications.

Table 3-3 Water-cooled System Environmental Requirements

Characteristic	Specification
Maximum Environmental Requirements	
Humidity	20% to 80% non-condensing Rate of change must not exceed 10% relative humidity/hour
Operating environment:	
Air temperature (0 to 5,000 ft.)	41 to 95 °F (5 to 35 °C)
Air temperature (5,000 ft. to 10,000 ft.)	41 to 86 °F (5 to 30 °C)
	Mean sea-level temperature rate of change must not exceed 18 °F/hour (10 °C/hour)
Optimal Environmental Requirements	
Humidity	42 °F (5.5 °C) dewpoint to 60% relative humidity and 59 °F (15 °C) dewpoint, non-condensing ^a 45% (optimum) Rate of change must not exceed 10% relative humidity/hour
Operating environment:	
Air temperature	64 to 81 °F (17.8 to 27.2 °C) 72 °F (22.2 °C) (optimum)

a. Based on the ASHRAE® TC 9.9 2011 thermal guidelines

Shock and Vibration

The vibration specifications for a functional 42U rack system with one chassis IRU are:

- Operational vibration
 - Sine Sweep 5-500-5 Hz, 0.25g @ 1 oct/min
 - Dwells at 4 lowest resonant frequencies at 0.25g for 15 minutes each
 - Random vibration at 0.10gRMS for 15 minutes
 - Vertical orientation
- Non-operational vibration
 - Sine sweep 3-200-3 Hz, 0.5g @ 1 oct/min
 - Dwells at 4 lowest resonant frequencies at 0.5g for 15 minutes each
 - Random vibration at 1.15gRMS for 15 minutes
 - Vertical orientation

The vibration specifications for a functional IRU are:

- Operational vibration
 - Sine sweep 5-500-5 Hz, 0.25g at 1 oct/min
 - Dwells at 4 lowest resonant frequencies at 0.25g for 15 minutes each
 - Random vibration at 0.67gRMS for 15 minutes
 - In both vertical and side orientations
- Non-operational vibration
 - Sine sweep 3-200-3 Hz, 0.5g at 1 oct/min
 - Dwells at 4 lowest resonant frequencies at 0.5g for 15 minutes each
 - Random vibration at 1.15gRMS for 15 minutes
 - In both vertical and side orientations

Server Layout

The following illustrations show the overall dimensions and required service clearances for typical air-cooled and water-cooled SGI UV 2000 system configurations:

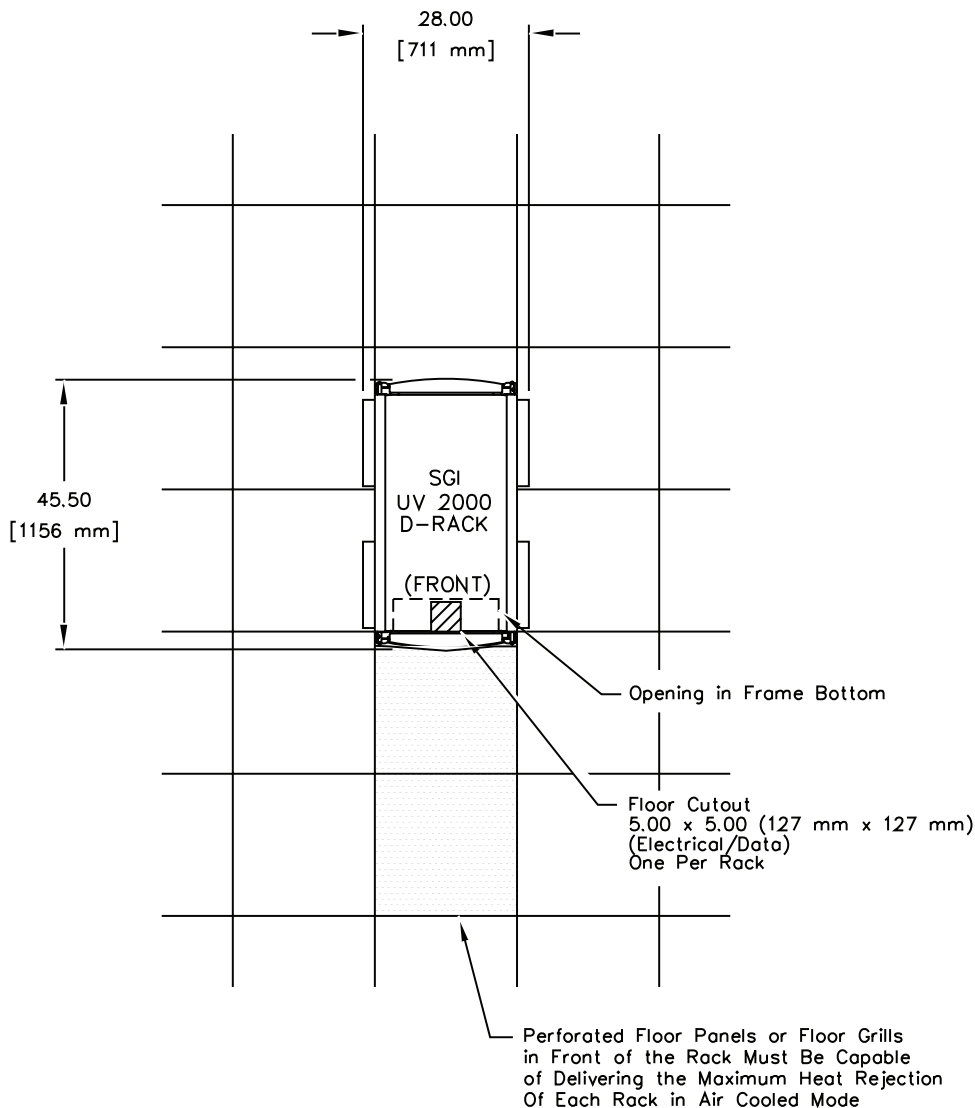
- Single Air-cooled Rack Floor Layout (on 24-in by 24-in Grid), on page 42
- Four Air-cooled Racks Floor Layout (Shown on 24-in by 24-in Grid), on page 43
- Single Water-cooled Rack Floor Layout (Shown on 24-in by 24-in Grid), on page 44
- Four Water-cooled Racks Floor Layout (Shown on 24-in by 24-in Grid), on page 45
- Service Clearance Requirements (Shown on 24-in by 24-in Grid), on page 46
- Seismic Tiedown Locations, on page 47
- Rack Bonding Spacer – Top of Rack, on page 48
- Rack Bonding Spacer – Bottom of Rack, on page 48

If necessary, contact SGI site planning for site planning consultation by telephone at +1 715 726 2820, by fax at +1 715 726 2969, or by e-mail at site@sgi.com.

General Recommendations

- Systems that are installed on raised-floor panels require floor cutouts below each rack to accommodate the entrance of data and power cables or water cooling.
- SGI recommends placing two perforated floor panels in front of each SGI UV 2000 server rack for an additional supply of cooling air.
- If your system is using the water-cooled option, ensure that the water shut-off valves are located in an area that is easily accessible by service personnel (refer to Figure 4-3 and Figure 4-4).
- In areas that are prone to earthquakes, secure each SGI UV 2000 system to the computer room subfloor. Four M12 threaded weld nuts are located on the underside of each rack frame for attachment to customer-supplied hold-down devices (refer to Figure 4-6).
- Each rack in the system should be secured with rack bonding spacers as shown in Figure 4-7 and Figure 4-8 for increased stability and proper grounding. (These bonding spacers also provide the required six inches of separation between the racks.)

Air-cooled Rack Layouts



Note: Equipment shown on 24 inch floor tile
Approximate area of 10 square feet (0.9 square meters) without access
Approximate area of 30 square feet (2.8 square meters) with access

Figure 4-1 Single Air-cooled Rack Floor Layout (on 24-in by 24-in Grid)

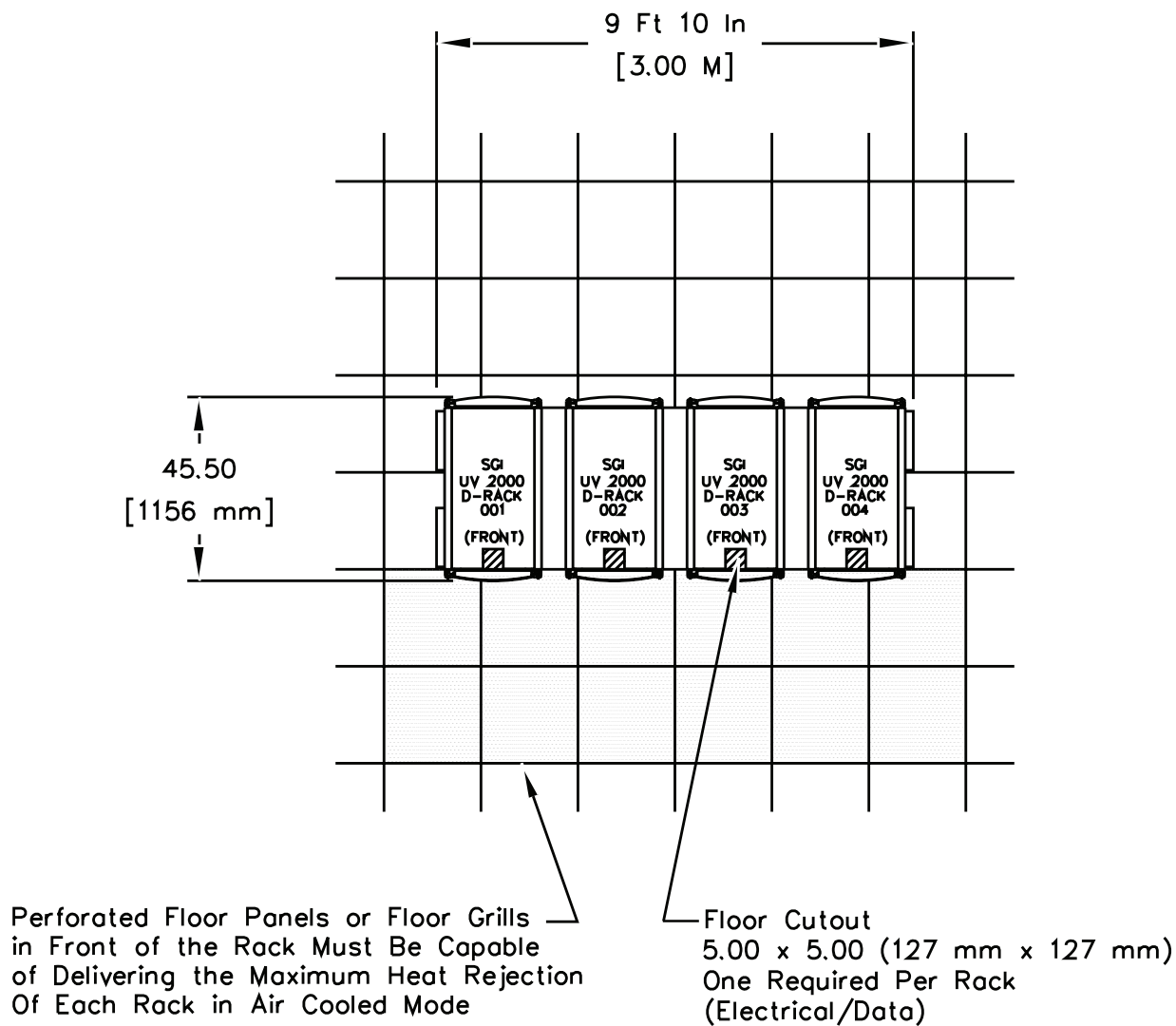
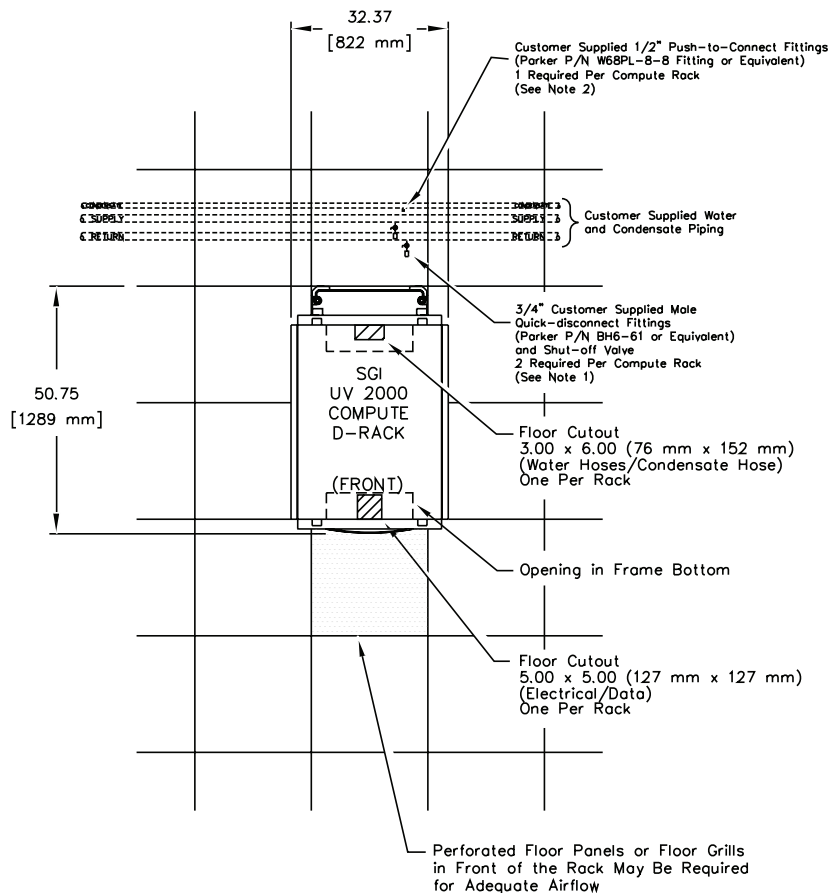


Figure 4-2 Four Air-cooled Racks Floor Layout (Shown on 24-in by 24-in Grid)

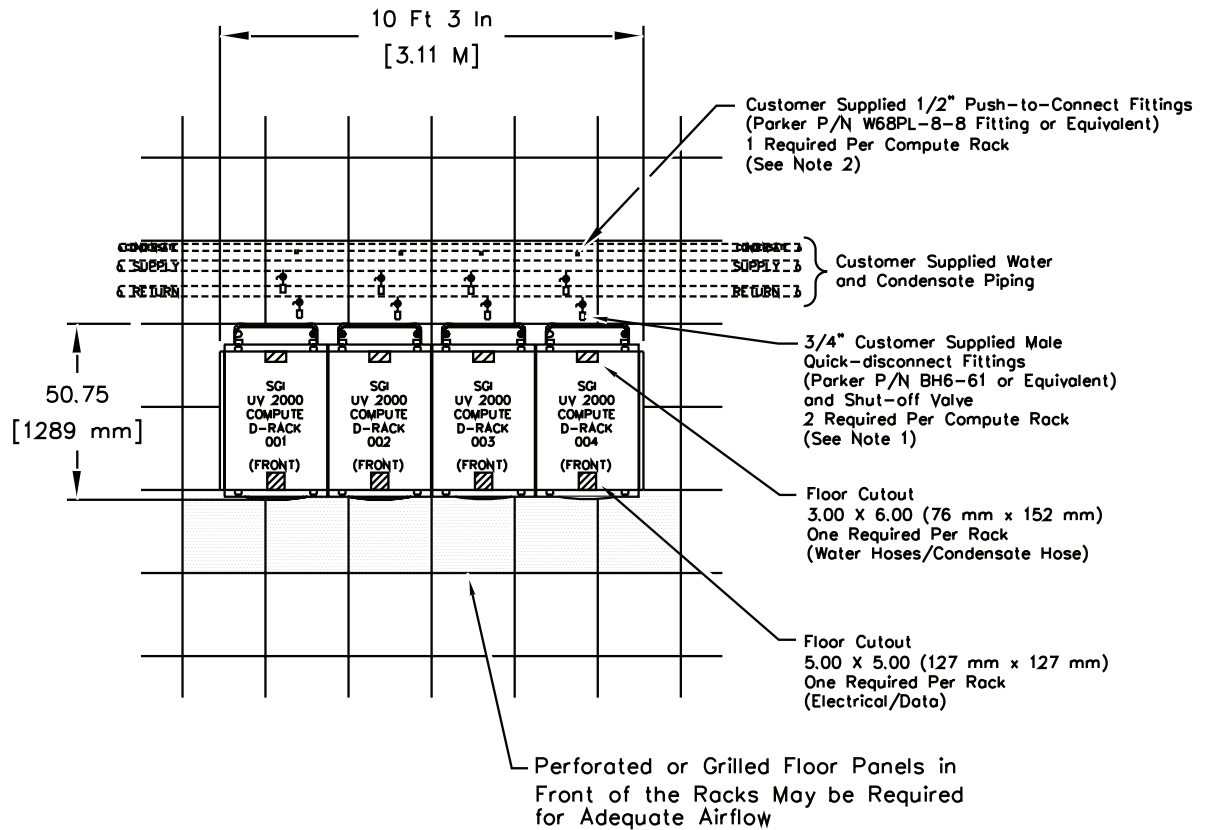
Water-cooled Rack Layouts



Notes:

- Customer Must Supply Two Male Quick-Disconnect Nipples Listed Below per Rack to be Located Within 4 Ft (1.2 M) of Each Associated Rack Floor Cutout. SGI Provides Two 13 Ft (3.9 M) Long, 3/4 Inch Flexible Rubber Water Hoses with Equivalent Female Quick-Disconnect Couplings to Make this Connection.
 Customer Provided Equivalent Male Quick-Disconnect Nipples:
 Parker - Part Number BH6-61
 Aeroquip - Part Number FD45-1086-12-12
 Hansen - Part Number B6-K31
- Customer Supplied Push-to-Connect Fittings to be Located Within 4 FT (1.2 M) of Associated Rack Floor Cutout. SGI Provides One 6 FT (1.8 M) Long, 1/2" (12.7mm) O.D., 3/8" (9.5mm) I.D. Flexible Nylon Condensate Hose for Each Rack. Customer to Provide One Parker P/N W68PL-8-8, 1/2" Male NPTF Push-to-Connect Fitting or Equivalent per rack to Make this Connection.

Figure 4-3 Single Water-cooled Rack Floor Layout (Shown on 24-in by 24-in Grid)



Notes:

- 1) Customer Must Supply Two Male Quick-Disconnect Nipples Listed Below per Rack to be Located Within 4 Ft (1.2 M) of Each Associated Rack Floor Cutout. SGI Provides Two 13 Ft (3.9 M) Long, 3/4 Inch Flexible Rubber Water Hoses with Equivalent Female Quick-Disconnect Couplings to Make this Connection.

Customer Provided Equivalent Male Quick-Disconnect Nipples:

- Parker - Part Number BH6-61
- Aeroquip - Part Number FD45-1086-12-12
- Hansen - Part Number B6-K31

- 2) Customer Supplied Push-to-Connect Fittings to be Located Within 4 FT (1.2 M) of Associated Rack Floor Cutout. SGI Provides One 6 FT (1.8 M) Long, 1/2" (12.7mm) O.D., 3/8" (9.5mm) I.D. Flexible Nylon Condensate Hose for Each Rack. Customer to Provide One Parker P/N W68PL-8-8, 1/2" Male NPTF Push-to-Connect Fitting or Equivalent per rack to Make this Connection.

Figure 4-4 Four Water-cooled Racks Floor Layout (Shown on 24-in by 24-in Grid)

Service Clearance Requirements

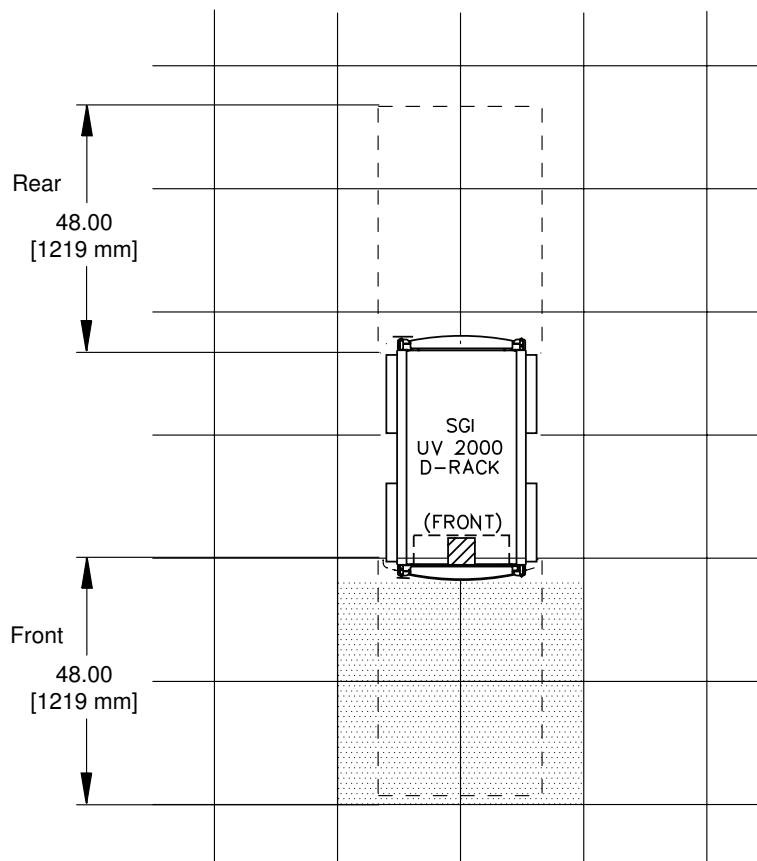


Figure 4-5 Service Clearance Requirements (Shown on 24-in by 24-in Grid)

Seismic Tiedowns

In areas that are prone to earthquakes, you should secure each SGI UV 2000 system to the computer room subfloor. Four M12 threaded weld nuts are located on the underside of each cabinet frame for attachment to customer-supplied hold-down devices. The attachment points are shown in Figure 4-6.

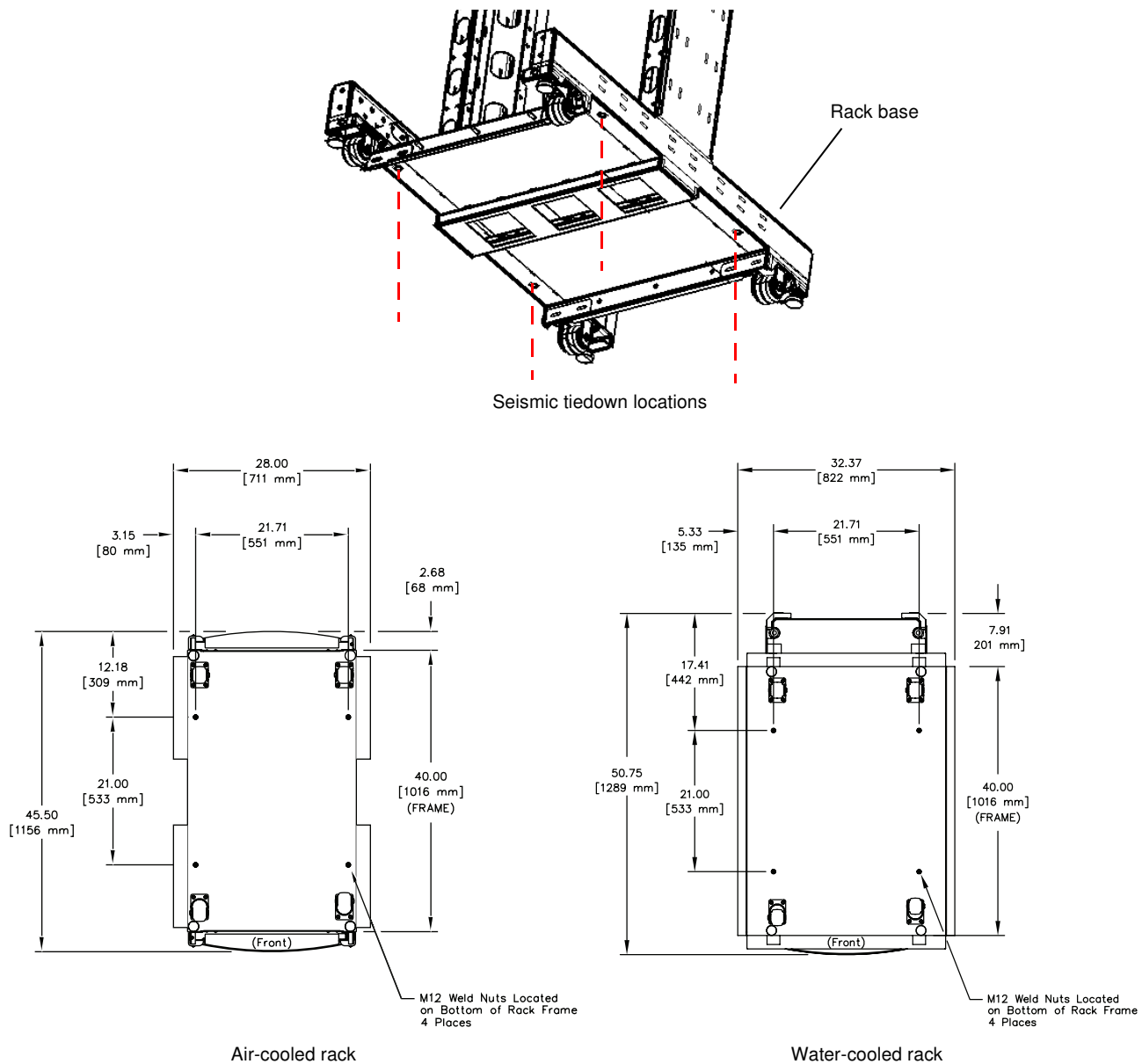


Figure 4-6 Seismic Tiedown Locations

Rack Bonding Spacers

Top and bottom rack bonding spacers are used between racks to properly space the racks (six inches apart) and to secure the racks together. (Refer to Figure 4-7 and Figure 4-8.)



Figure 4-7 Rack Bonding Spacer – Top of Rack

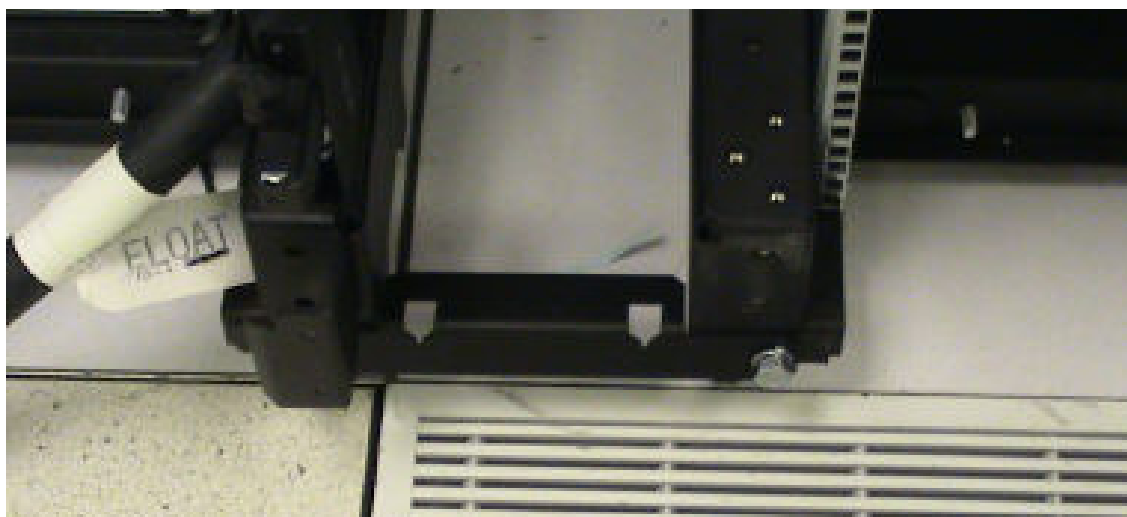


Figure 4-8 Rack Bonding Spacer – Bottom of Rack

Site Planning Checklist

Table 5-1 and Table 5-2 provide a site planning checklist that you can use as an organizational tool during the site planning and preparation process. During the planning process, you might discover additional preparation issues at your site that this checklist does not address. To discuss your site plans and to resolve any issues, contact an SGI site planning representative by one of the methods listed in the summary of this document.

Table 5-1 Site Planning Checklist

Yes	No	Planning Issue	Comments
		Have you determined the system configuration? Configuration: _____	
		Have you determined the installation date? Date: _____	
		What is the total number of system cabinets?	
		Have you established the system location?	
		Does the equipment floor layout meet the equipment maintenance access requirements?	
		Is the equipment positioned so that the exhaust air of one heat-ejecting device does not enter the air inlet of another?	
		Have you identified an access route to the final system location?	
		Does the access route meet the access requirements for the system?	
		Does the access route meet the floor-loading requirements for the system?	
		Have you made provisions to cover irregular or engraved floor patterns along the access route to reduce vibration of the system while moving it?	

Table 5-1 Site Planning Checklist

Yes	No	Planning Issue	Comments
		Does your loading dock meet standard freight-carrier truck requirements? If not, have you allocated a forklift for delivery? Contact your site planning representative if you have concerns about your loading dock.	
		Is a pallet jack available on-site to move the system in its shipping container to the final system location?	
		Do the pallet-jack fork dimensions meet the requirements for the shipping container?	
		Are the elevator and elevator door dimensions adequate?	
		Is the elevator weight capacity adequate?	
		Does each ramp in the access route have an incline that is less than 10 degrees?	
		Did you order the power receptacles for your system?	
		Are the circuit breakers for all cabinets properly installed and labeled?	
		Are all power receptacles properly installed and labeled?	
		Are the floor cutouts properly positioned and free of sharp edges?	
		Are the recommended perforated floor panels properly positioned?	
		Is the computer room floor strong enough to support the weight of the system?	
		Can the computer room environment be properly maintained within the specifications listed in Table 3-1 on page 35?	
		Are telephone lines installed if you plan to implement remote support for your system?	
		Have you trained system administrators or enrolled operators in the necessary training courses? http://www.hpctraining.com hpctraining@sgi.com	

Table 5-2 Water-cooled Option Site Planning Checklist

Yes	No	Planning Issue	Comments
		Do you have an adequate chilled-water supply?	
		Are the required plumbing and pipe fixtures installed?	
		Have floor cutouts been provided for the cooling water and condensate hose?	
